

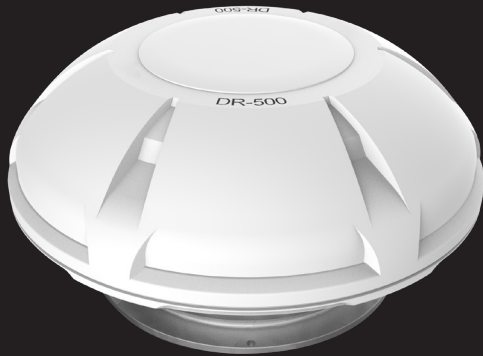


PERIMETER PROTECTION SOLUTION

DR-500



3D RADAR WITH FULL DOME COVERAGE



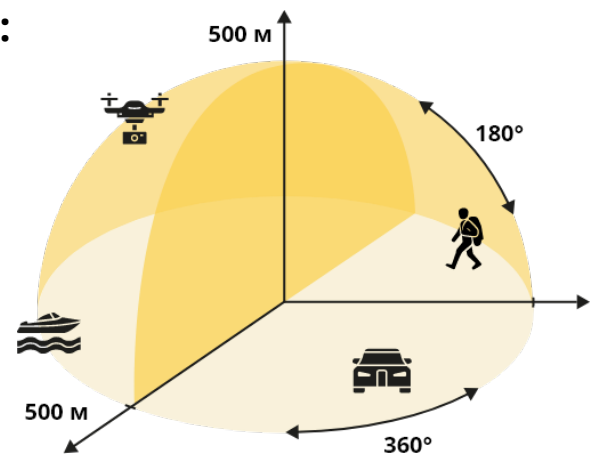
DR-500

Compact Pulse-Doppler radar for detecting of moving targets in airspace.

Protected area 800 000 sq.m.

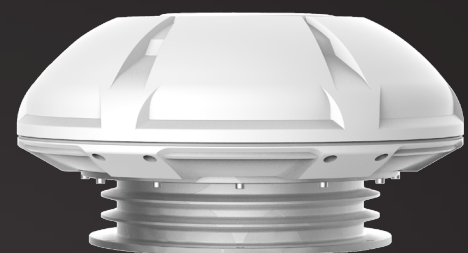
Designed to detect and track small UAVs:

- Medium (DJI Inspire type)
- Mini (DJI Phantom type)
- Micro (DJI Mavic type)



Can detect ground-based moving targets in the protected area:

- Humans
- Cars
- Boats



Features:



Track update 4 times per second



No moving parts
Zero maintenance cost



DPA function (Dynamic Power Allocation)
Extends the detection range up to 700 m



Compact size 360 x 180 mm
Sealed housing

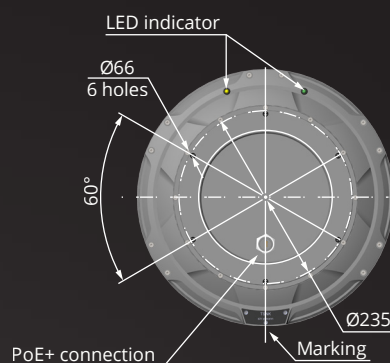
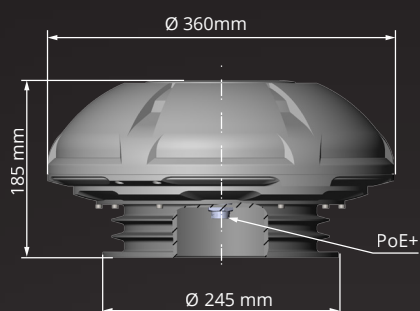


PoE +
One-cable connection
Fast installation



Weather resistant
performance 24/7

Specifications



RADAR FEATURES	DR-500
Radar type	Pulse Doppler Solid State Non-Kinematic
Operating Frequency	C-Band (5,7÷5,8 GHz)
Radar Field of View (Azimuth x Elevation)	360° x 180°
Detection Range (general / maximum DPA)	500 m / 700 m
Detection Range examples:	
DJI Phantom 4	450-500 m
DJI Mavic-2	350-500 m
Human	500 m
Simultaneous Tracking Targets	250
Minimum RCS (Radar Cross-Section)	0,01m ² - Drone
False Alarm Filter	Intellectual
Dynamic Power Allocation	Yes
Power / Data	PoE+ / Ethernet
Operating Temperature	-40°C to +60°C