



PERIMETER PROTECTION SOLUTION GR-1200

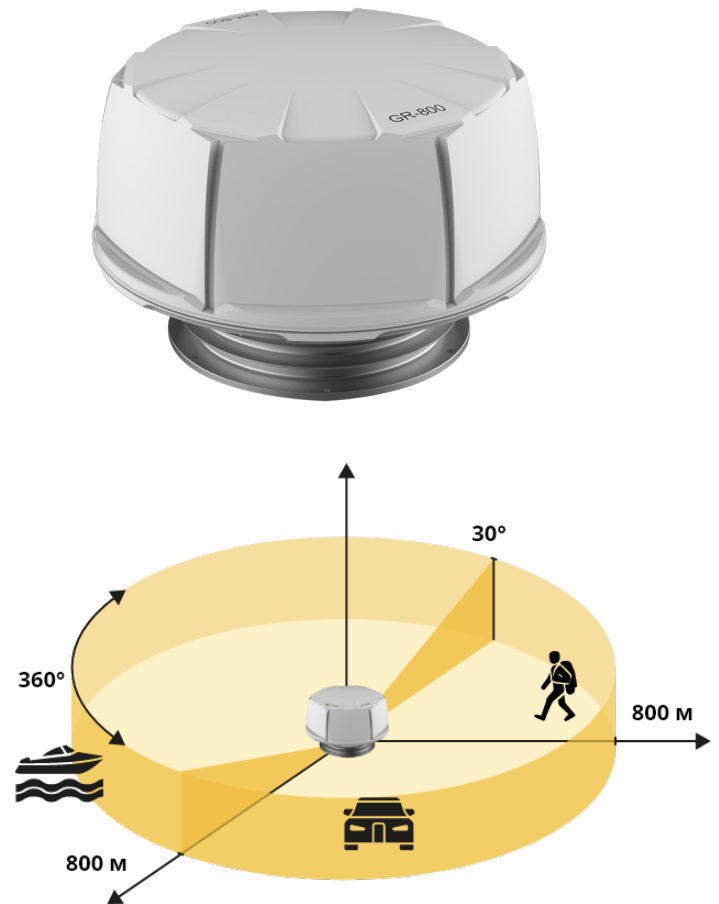


2D GROUND SURVEILLANCE RADAR



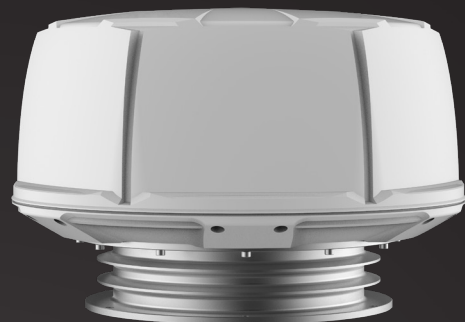
Compact Pulse-Doppler radar for detecting of moving ground targets.

Protected area 4 500 000 sq.m.



Designed to detect:

- Humans
- Cars
- Boats



Features:



Track update 4 times per second
Azimuth accuracy ± 0.50



No moving parts
Zero maintenance cost



Different sensitivity levels



Compact size 360 x 240 mm
Sealed housing

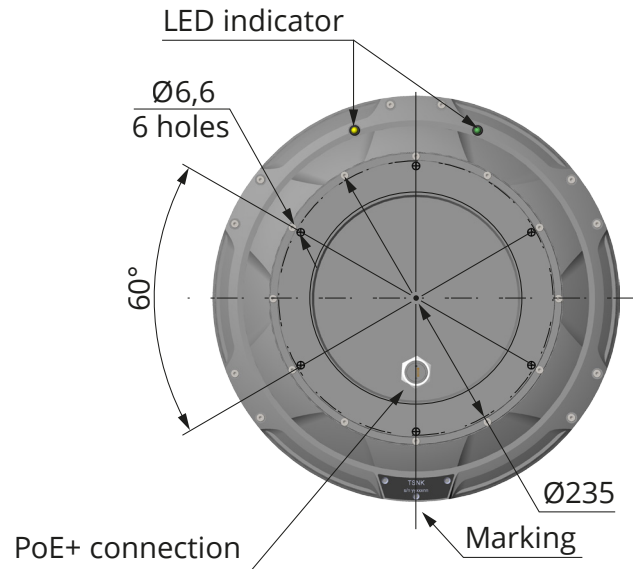
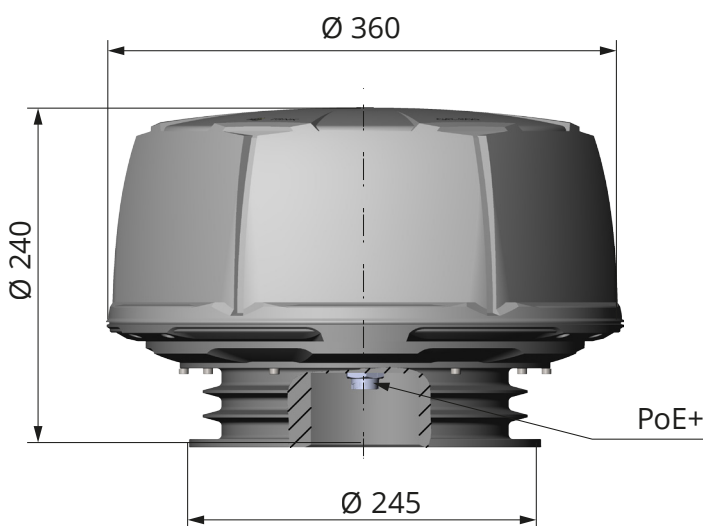


PoE +
One-cable connection
Fast installation



Weather resistant
performance 24/7

SPECIFICATIONS



RADAR SPECIFICATIONS	GR-1200
Radar type	Impulse Doppler, Solid, Non-Kinematic
Operating frequency	C-Band (5,6-5,9 GHz)
Radar azimuth/elevation angle	360°/30°
Distance (GR-800/GR-1200)	1200 m
Targets tracked simultaneously	Up to 250
Minimum RCS (Radar Cross-Section)	0,25 sq.m. – a human
False alarm filtering	Intellectual
Power supply/Data transmission	PoE+ / Ethernet
Operating temperature	From -40 °C to +60 °C